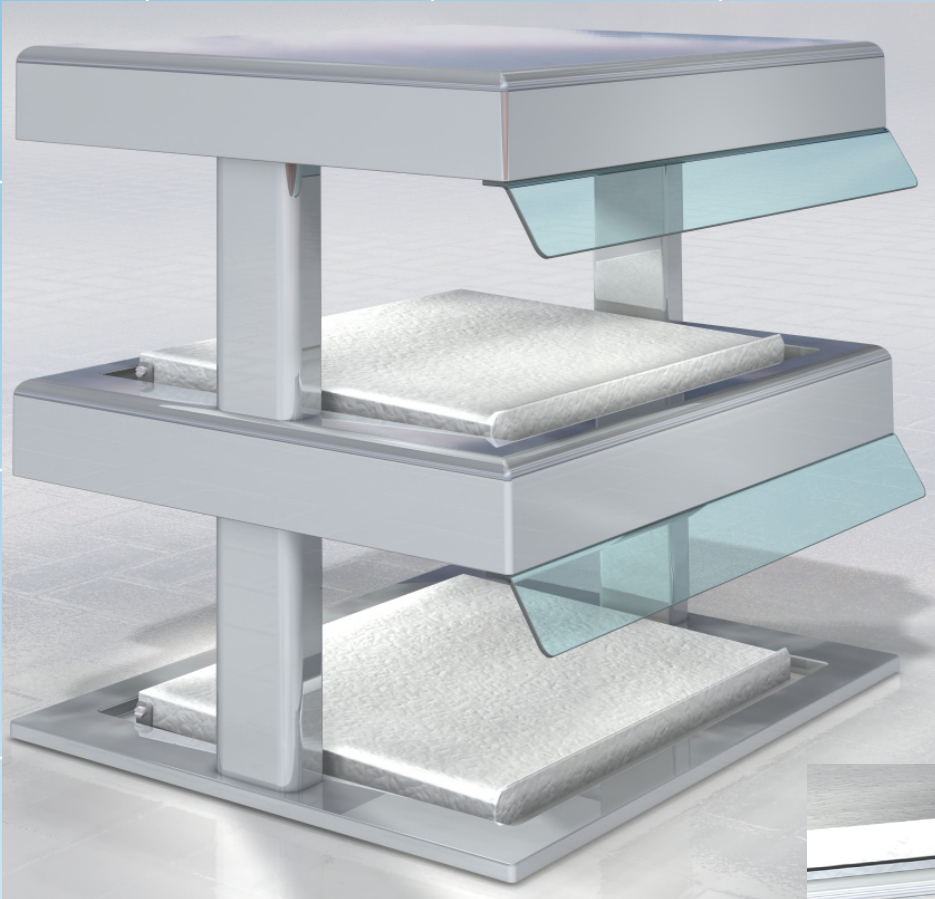


HotFrost™

THE ULTIMATE IN DISPLAY/SERVING MERCHANDISING

MAKE IT **HOT** MAKE IT **COLD** MAKE IT **HOT & COLD**



It's a Duke exclusive - and the options are endless! HotFrost™ Display Merchandisers offer as many as three serving levels - all designed for standard sheet pans. Sizes include widths for one to three full sheet pans per tier, three half pans per tier or special order lengths. With HotFrost™, food display options include hot, cold, ambient, heated pizza stone or our unique dual mode - hot/cold. Duke takes your foodservice needs to the next level. It's a counter revolution!

Control Panel



The Duke HotFrost™ can be ordered in any configuration required with lengths to accommodate up to three full size 18" x 26" sheet pans per tier. Optional high polished edges. Fully insulated shelves. Individual controls for heating serving levels. Flexible refrigeration systems for frost tiers.



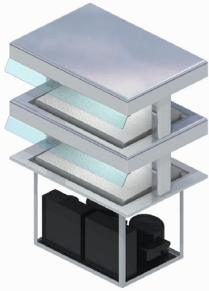
Rear View

HotFrost™
DISPLAY MERCHANDISERS



Your Solutions Partner

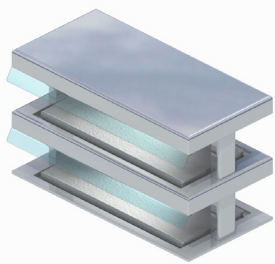
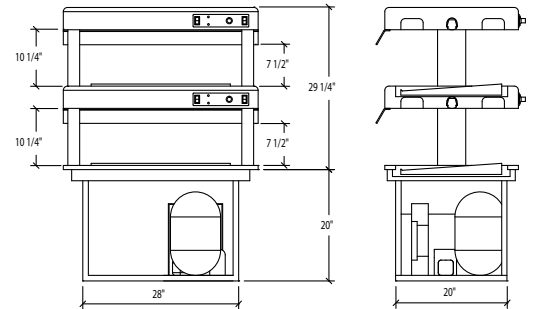
HotFrost™ Merchandiser



Model HF35-2

Capacity: Two (2) 18" x 26" sheet pans

(Shown with self-contained refrigeration system required for frost application)

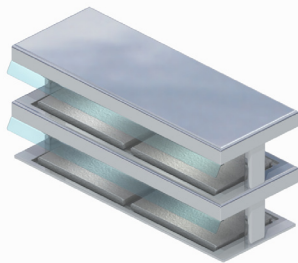
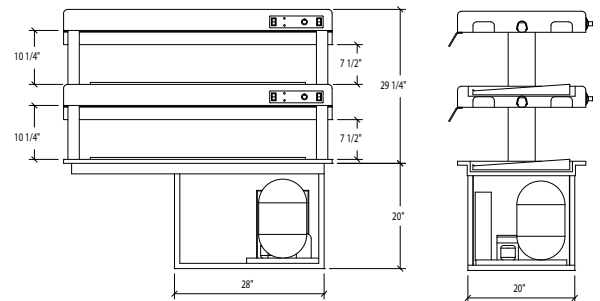


Model HF50-2

Capacity: Six (6) 13" x 18" sheet pans

Self-contained refrigeration system required for frost applications.

(See Model **HF35-2** for dimensions)

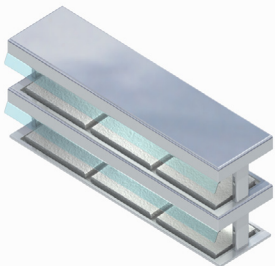
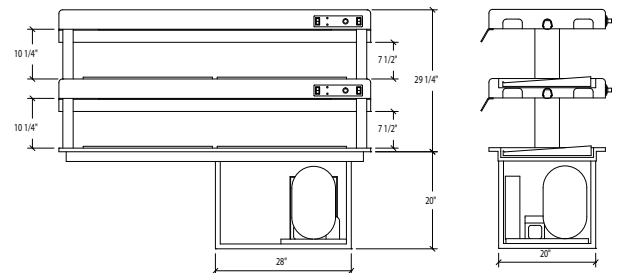


Model HF64-2

Capacity: Four (4) 18" x 26" sheet pans

Self-contained refrigeration system required for frost applications.

(See Model **HF35-2** for dimensions)

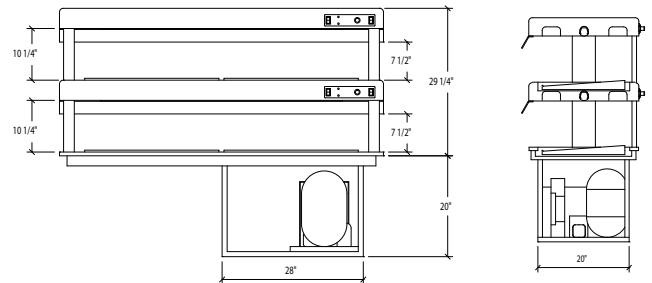


Model HF91-2

Capacity: Six (6) 18" x 26" sheet pans

Self-contained refrigeration system required for frost applications.

(See Model **HF35-2** for dimensions)



Lighting and frost options require 120v/60Hz/1PH electrical service. Heat and dual temperature options require 120-208v/60Hz/1PH electrical service. Both will be supplied with a cord and plug. All stainless steel construction. All levels have individually controlled lighting.

Custom configurations and applications available. Contact Duke Manufacturing for details



Duke Manufacturing Co.

2305 N. Broadway
St. Louis, MO 63102
Toll Free: 800-735-3853 • Phone: 314-231-1130
www.dukemfg.com

2011 Copyright Duke Manufacturing
dkehfs0311-US

For inquiry or order assistance contact:
800-735-3853