



Your Solutions Partner

DUKE MANUFACTURING CO.
2305 N. Broadway
St. Louis, MO 63102
800.735.3853 Toll Free 314.231.5074 Fax
www.dukemfg.com

MODEL:
38" Production Center



DPC38-K

BODY:

- 4" Locking Casters
- Lower wrap shelf for product packaging and dry storage
- Extra deep work surface carving board area with crumb guard
- Stainless steel overshelf

UNDERCOUNTER REFRIGERATION:

- (2) Fully extendable refrigerated drawers allow easy pan access. Capacity = (12) 1/6 x 6" Deep Pans Each. (Accommodates Full, 1/2, 1/3 and 1/6 pans)
- Digital thermostat

COLD PAN:

- Counter top cold pan capacity (15) 1/6 x 6" deep pans

ACCESSORIES (Optional):

- Removable bottle holder capacity (6) bottles total
- LED light under overshelf
- Pull-out crumb collection pan



DPC38-K
(shown with optional accessories)

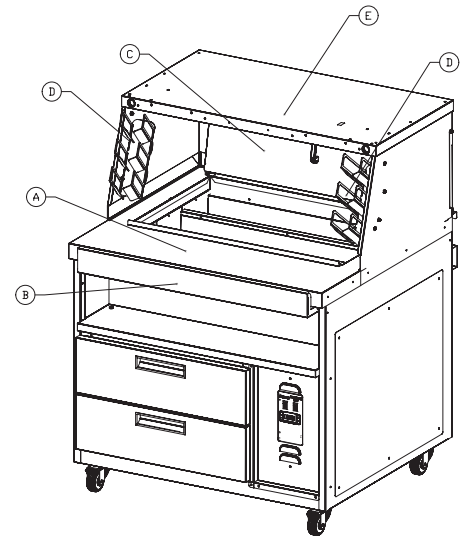
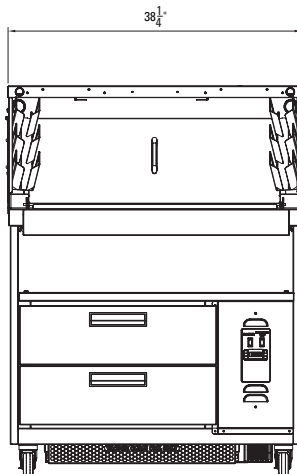
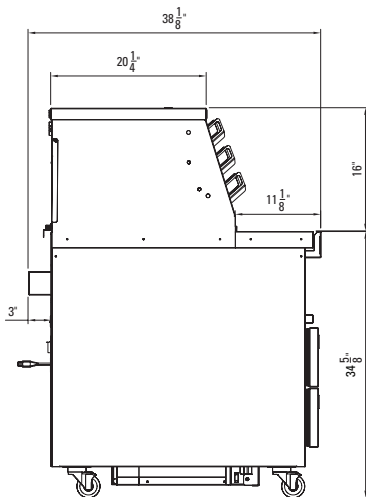
DIMENSIONS:

Model	Height	Width	Depth	Volts	Amps	Shipping Weight
DPC38-K	34-5/8	38-1/4	34-1/8	115	10.4	565 lbs



NEMA 5-15 Receptacle NEMA 5-15

- A. EXTRA DEEP WORK SURFACE CARVING BOARD AREA AND CRUMB GUARD
- B. PULL-OUT CRUMB COLLECTION PAN (OPTIONAL)
- C. STAY-IN-PLACE FOLD UP COLD PAN COVER (COMES STANDARD)
- D. LEFT AND RIGHT REMOVABLE BOTTLE HOLDERS CAPACITY (6) BOTTLES TOTAL (OPTIONAL)
- E. OVERSHELF WITH LIFT-UP BACK PANEL FOR EASY CLEANING (OPTIONAL LED LIGHT)



AGENCY LISTINGS:



Specification subject to change